



Product at a Glance

- ▶ 1080p resolution
- ▶ True WDR (120 dB); day/night camera with a built-in varifocal 30x optical zoom autoiris lens and 16X digital zoom
- ▶ Synchronized IR illuminators with 1312 ft (400 m) range
- ▶ 12 VDC and PoE (PoE injector included)
- ▶ Triple streaming video
- ▶ Two-way audio
- ▶ Rugged construction for harsh indoor or outdoor environments, IP66 and IK10 rated
- ▶ 8 programmable privacy masks
- ▶ Surface mounting on wall or ceiling
- ▶ Supports local recording to Micro-SD card
- ▶ ONVIF (Profile S) interface provides interoperability with open platform solutions open platform solution

Overview

Vicon's SN680D-B-WNIR HD Network Dome Camera is designed for performance in the most demanding security installations. The 1080P megapixel pan, tilt, zoom (PTZ) camera has an integrated 30x optical zoom lens (4.3 mm to 129 mm), 16X digital zoom and integrated IR LEDs provide illumination up to a range of 1312 feet (400 meters).

The SN680D-B-WNIR provides triple-streaming video and supports H.264 compression technology, drastically reducing file sizes and conserving valuable network bandwidth. Users can receive multiple streams simultaneously in different resolutions, frame rates and image qualities for viewing on different platforms. A Micro-SD memory slot is provided for local recording with removable storage.

The camera can be powered with 12 VDC or PoE (28 W). A PoE injector is included with the camera for easy installation. The SN680D-B-WNIR can be mounted on a wall or ceiling. Additional accessories allow the unit to be pendant mounted on a wall mount or in-ceiling. The camera can be tilted to 10 degrees above the horizon.

In order to adapt to constantly changing outdoor lighting conditions, the SN680D-B-WNIR features an autoiris lens that maintains proper light levels to provide the best video quality under diverse and changing lighting conditions. The true day/night camera also includes a removable IR cut filter for superior image quality around the clock. Wide Dynamic Range (WDR) image processing further improves video exposure quality in scenes with high contrast between bright and dark areas. Synchronized IR LED lighting automatically adjusts intensity with the optical zoom of the lens.

For protection against the elements, the camera dome is IP66 rated with a vandal-proof casing to withstand rain, dust, and vandalism; it is also IK10 rated for impact protection. The unit is secured by tamperproof screws.

SPECIFICATIONS

Model	SN680D-B-WNIR
Image Sensor:	1/2.8-inch progressive scan Sony Starvis CMOS
Max Resolution:	1920 x 1080p
Image Settings:	Dynamic adjustable bit rate. Digital image effects: horizontal and vertical flip. Configurable brightness, contrast, high sensitivity. White balance. Digital zoom. Gain control. Exposure control. Electronic shutter speed. Day/night mode. BLC (Backlight Compensation). Dynamic Noise Reduction (3DNR). Motion detection (16 zones). Privacy masking (8 zones). Event notification.
Video Content Analysis (VCA):	Tampering. Defog. Digital Image Stabilization (DIS). Face Detection. Line Detector. Field Detector.
Electronic Shutter Speed:	1/3 ~ 1/30,000
Digital Zoom:	16X
Day/Night Performance:	True day/night (IR cut filter)
Wide Dynamic Range (WDR):	True WDR (120 dB)
Minimum Illumination:	Color: 0.35 lux, B/W: 0.013 lux @ 50 IRE; 0 lux (IR LED ON)
IR Illuminator:	Distance: 1312 ft (400 m). Angle: 5 - 60°. Synchronized, manual or fixed mode.
Lenses	
Focal Length:	4.3 - 129.0 mm (30X optical zoom)
Max. Aperture:	f/1.2
Iris:	Autoiris
Zoom/Focus Adjust:	Motorized focus and zoom
Horizontal Field of View:	2° - 65°

Network Video Transmission

Network:	10Base-T, 100Base-TX, RJ-45
Image Compression:	H.264 and M-JPEG
Resolution:	1920x1080 (1080P), 1280x1024, 1280x720/960 (720P), 704x480/576 (D1), 640x480/360 (VGA), 320x240 (QVGA)
Protocol:	IPv4/IPv6, TCP/IP, HTTP, HTTPS, RTSP, RTP, SMTP, DHCP, NTP, FTP, DDNS, UDP, uPnP, QoS, Zeroconf, Bonjour, ONVIF
Frame Rate:	Max. 60 fps (50 fps, PAL) dual stream; 30 fps (25 fps, PAL) triple stream
Streams:	Triple stream (2 x H.264 and 1 x MJPEG)
Users:	Live viewing for up to 10 clients
Web Browser:	Internet Explorer®, Safari®, Firefox®, Google Chrome®, Opera®
Security:	IP address filtering, HTTPS encrypted data transmission, SSL, password protection
Local Recording:	Micro-SD slot provided; customer supplied SD card

Mechanical and Electrical

Construction:	Die-cast aluminum base; tamperproof screws
Pan Range:	360° continuous pan
Pan Speed:	380°/second maximum
Tilt Range:	100° (-10° to 90°)
Tilt Speed:	380°/second maximum
Presets:	256
Tours:	8
Mounting:	Mounting accessories available for pendant/wall and in-ceiling.
Dimensions:	7.9 in. (201 mm) (W) x 14.6 in. (371 mm) (H); refer to dimensional diagram
Weight:	10.8 lb (4.9 kg)

Data Sheet Number: V270-10
Vicon Part Number: 8009-7270-10-04

Dated: 1/2018
Specifications subject to change without notice.
Vicon and its logo is a registered trademarks of Vicon Industries Inc.
Copyright © 2018 Vicon Industries Inc. All rights reserved.

Internet Explorer is a registered trademark of Microsoft; Safari is a registered trademark of Apple Inc; Chrome is a registered trademark of Google; Firefox is a registered trademark of Mozilla Corp.; Opera is a registered trademark of Opera Software.



SPECIFICATIONS

Input Power:	PoE+ (injector included); 12 VDC ±10%. Injector dimensions: H: 1.25 in. (31.8 mm); W: 2.375 in. (60.3 mm); D: 5.375 in. (136.5 mm)
Current (IR on):	500 mA @ PoE; 2.3 A @ 12 VDC
Power Consumption (IR on):	28 W

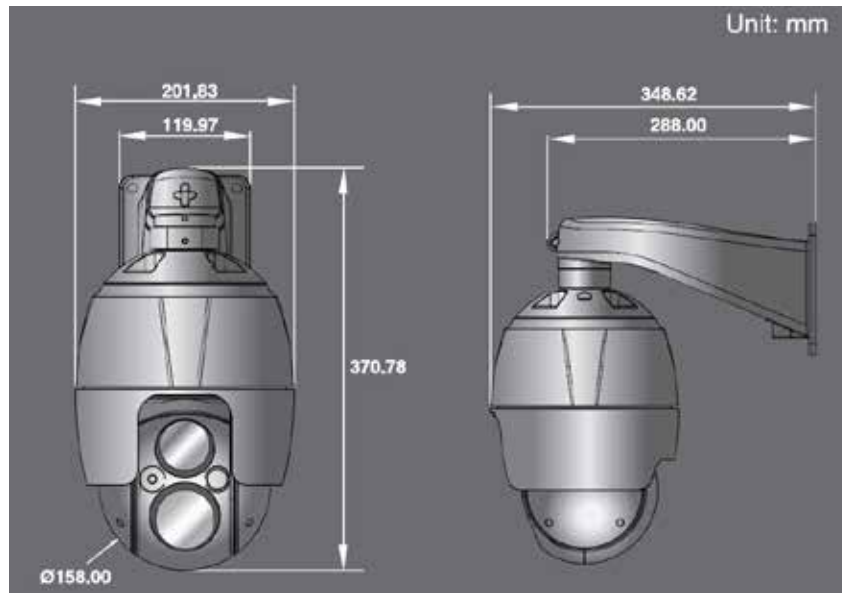
Controls and Connectors

Connectors:	Power: 12 VDC DC jack; Network/PoE: RJ-45 CAT 5; Alarm In (4)/Out (1): screw terminal; SD Card Slot. Audio In and Out: jack (Audio Out requires external amplifier)
--------------------	---

Environmental




Operating Conditions:	Temp: -22° to 149° F (-30° to 65° C) Humidity: up to 90%, relative, non-condensing Limitations in certain weather conditions, including blizzard conditions and freezing rain with high winds. Be sure to read Limitation Note.
Approvals:	FCC Class A, CE, IP66; IK10
Warranty:	3 years

Dimensional Drawing (mm)



Note: Diagram depicts camera with pendant arm accessory.

Models and Descriptions

	Model Number	Description
	SN680D-B-WNIR	1080P network PTZ camera. 30x zoom. Integrated IR LED (998 ft/300m range). Color: 0.35 lux, B/W: 0.013 lux (0 lux, IR LED ON). True WDR. 2 way audio, Power: PoE (injector); 12VDC (36W). Image stabilization. Privacy masks.
	V660-HDB242	Pendant arm
	V660-HDB241	Pole/ceiling mount